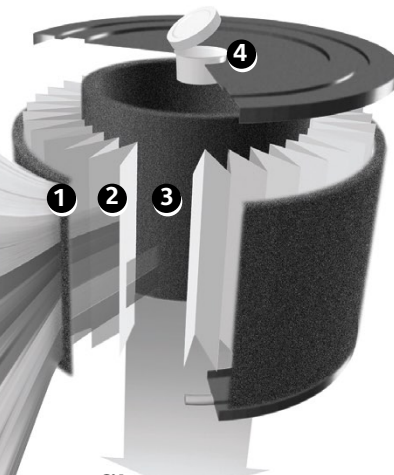




HEPA AIR PURIFICATION SYSTEM CENTRAL & PORTABLE

We believe quality is our most important asset.
That's what made our reputation what it is today.

The epurair Air Purification System employs a true HEPA filter, the world's most effective filter.

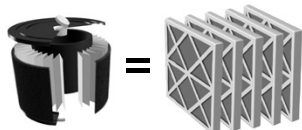


HEPA is a standard that was developed by the American Nuclear Energy Commission. HEPA filters are the world's most efficient air filters. They are used in hospitals, pharmaceutical preparation and electronics manufacturing to eliminate very fine particulates. To be classified as a HEPA filter, the filter must eliminate 99.97% of all particles 0.3 microns or larger.

- 1 Pre-filter:**
Air is drawn in through a carbon pre-filter that removes large particles, such as dust, pollen and fibers.
- 2 HEPA Filter:**
The finest particles including bacteria, viruses, mould, radon, smoke, and dust are captured by the main HEPA filter.
- 3 Carbon Trap:**
The volatile organic compounds (VOCs) present as gases, fumes, and odors are absorbed by the carbon trap.
- 4 Aromatherapy and MicroGerme Treatment:**
A special diffuser is integrated into the system for use with one of many natural and subtle aromas available for your home.

Our HEPA Filter will last up to 5 years.

The cylindrical shape of the Epurair HEPA offers a larger filtration surface area than rectangular filters. The result is a longer lasting filter.



Technical Features

- Disposable carbon pre-filter eliminates the chore of cleaning filters.
- Manufactured in the form of a cylinder, the Epurair HEPA filter boasts a far larger filtration surface area than rectangular filters, thus resulting in a longer lifespan (3 to 5 years).
- The carbon trap absorbs gases, odors and fumes.
- Optimal sealing of the filter as a result of a titanium pigment sealing joint.
- The CSA and UL approved air circulation motor, manufactured in Germany, is designed for both energy efficiency and ultra-quiet performance. The acoustic design ensures that only 32 dB of sound are produced on low speed and 52 dB on high.



The long-lasting steel casing has an exceptionally resistant, baked polyurethane diamond finish.

Epurair uses laser analysis devices to certify each of its products.



The Epurair HEPA system has a modular design

It is adaptable to your specific environment and can be modified if your needs change.

The Epurair System can be installed as a component of your central heating and air conditioning system or used as a stand-alone portable unit by simply switching the system's back panel.

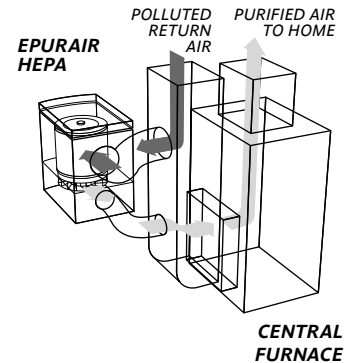


Portable

As a portable unit, it combines the power of a central system with the required functionality for use in your apartment or condominium.

Central Furnace

The Epurair System can be installed onto a forced air heating system. In this installation, it uses the existing ductwork to purify all the air in your home.

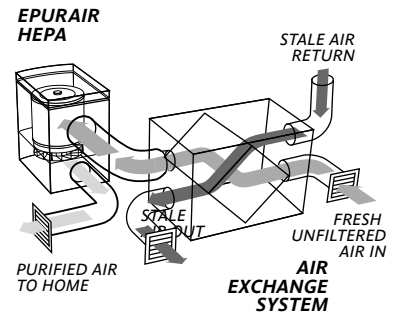


3 speed

Variable Speeds	Air Flow Rate	Noise Level
Speed 1	80 CFM	30 dB
Speed 2	125 CFM	40 dB
Speed 3	350 CFM	52 dB

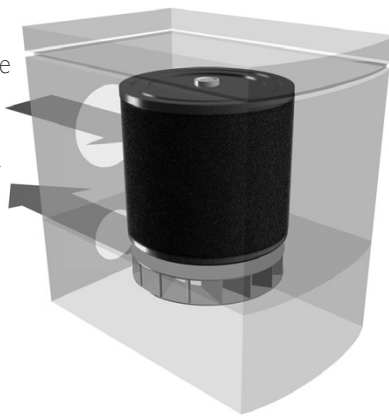
Air Exchange System

Air exchange systems that recover heat can become a large source of pollutant particles such as dust and mould. If you have this type of system in your home, it is recommended that an Epurair System be installed to purify the air that passes through the air exchanger into your home.



Polluted air enters the Epurair System.

The purified air is redispersed into your home, so that you and your family can breathe HEALTHIER and SAFER air.



Recognized by Physicians

HEPA air purification systems are recommended by respiratory physicians, as such the cost of the appliance may be deductible from your taxable income.

PLEASE CONTACT



Epurair.com
Toll Free: 1-800-205-1108