



# OWNER'S MANUAL

## EPURAIR MA-1

HEPA AIR FILTRATION SYSTEM



# READ AND SAVE THESE INSTRUCTIONS

## SAFETY PRECAUTIONS

**WARNING:** TO REDUCE THE RISK OF FIRE,  
ELECTRIC SHOCK, OR INJURY TO PERSONS,  
OBSERVE THE FOLLOWING:



- Use this unit only in the manner intended by the manufacturer. If you have questions, contact the manufacturer.
- Unplug the unit before servicing, cleaning, installing or replacing filters.
- Do not operate any fan with a damaged cord or plug. Discard fans or return to an authorized service facility for examination and/or repair.
- Do not run cords under carpeting. Do not cover cord with throw rugs, runners, or similar coverings. Do not route cords under furniture or appliances. Arrange cord away from traffic areas and where it will not be tripped over.
- Do not damage, pull, twist, bend or place heavy objects on the cord.
- Never handle the electrical cord with wet hands.
- Do not alter the plug in any way.
- Do not use with extension cords.
- Never tug on the electrical cord to unplug the unit from the outlet.
- Do not place fingers or foreign objects into the airflow openings of the unit.
- Operate the unit in a well-ventilated area.
- Do not operate the unit outdoors.
- Do not operate near flammable gases.
- Do not operate the unit in humid or wet places such as a bathroom.
- Do not use chemical sprays near the unit, they will accumulate on the filter and potentially cause harmful fumes.
- Do not operate the unit in an area with high oil content, such as mechanical oil or cooking oil, over time it will deteriorate the filter.
- Make sure all filters are correctly installed before running the unit.
- This is not a toy and is not intended for use by children.  
For adult use only.

**WARNING:** TO REDUCE THE RISK OF FIRE  
OR ELECTRIC SHOCK,  
DO NOT USE THIS FAN WITH  
ANY SOLID-STATE SPEED CONTROL DEVICE.



*Congratulations  
on your purchase of an  
Epurair MA-1 HEPA Filtration System.  
Your new system will improve  
the quality of the air in your home  
for many years to come.*

## **THE QUALITY OF THE AIR IN HOMES TODAY.**

Homes today are built to be as energy efficient as possible. To prevent heat loss, newer homes are more airtight. This reduces the cost to heat a house but in effect, it lowers indoor air quality. Regardless, in any home, new or old, indoor air quality is typically 2 to 5 times more polluted than outdoor air.

The Epurair HEPA system is specifically designed to control and eliminate: dust, pollen, mold, smoke, radon, bacteria and attached viruses. Odors present are reduced by the active carbon filter. The integrated aroma diffuser can also be used with your aromatherapy and antimicrobial treatment to help control odors, mold and bacteria.

## USE

The Epurair HEPA system was designed for a continuous operation, 24 hours a day, 7 days a week. Although the system can be used on low speed, the high speed setting is recommended. This is especially true when you first use the unit.

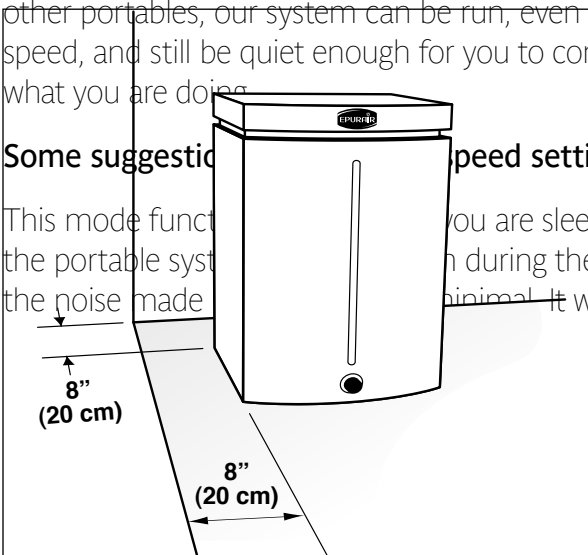
The Epurair system can be used anywhere. Air is diffused out in opposite directions to help reduce drafts. Unlike other portables, our system can be run, even on high speed, and still be quiet enough for you to concentrate on what you are doing.

### Some suggestions:

This mode functions best when you are sleeping. Use the portable system during the night since the noise made is minimal. It will assure you

### Speed settings:

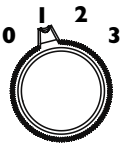
Use the low speed setting when you are sleeping. Use the high speed setting during the night since the noise made is minimal. It will assure you



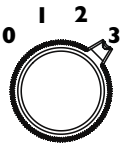
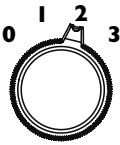
**Allow at least 8 inches clearance from obstructions such as walls and furniture around the unit to allow for good air circulation.**

one complete filtration every 15 minutes in a room with dimensions 12 feet by 10 feet.

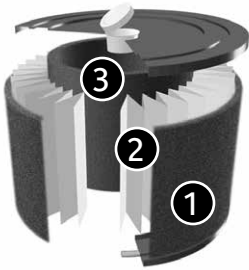
Use this mode during the day when you want to purify a large surface area of your home with only a small increase in noise that should not disturb you.



Use your system on high speed for improving air quality as quick as possible. This mode is often used throughout the day to assure air is purified throughout your home.



## FILTER REPLACEMENT



The Epurair HEPA system uses three stages of filtration. Each filter has a specific purpose.

### Stage 1: Carbon Prefilter

The prefilter prolongs the life of the HEPA filter. It removes the large dust particles before they enter the main HEPA filter. Replace the prefilter when it becomes covered with dust. It is recommended **replacing the prefilter every 3 months.**

### Stage 2: HEPA Filter

The HEPA filter needs to be **replaced every 3 to 5 years** depending on the environment in which it is used. For example, for smokers, it will last 3 years and for non-smokers, **up to 5 years.**

### Stage 3: V.O.C. Filter

The V.O.C. filter helps remove odors. It has to be **replaced every 12 months.**

To have more information on the filters, contact your installer or visit us at **[www.Epurair.com](http://www.Epurair.com)** or call our toll-free number at **1-800-205-1108** to help you locate a dealer near you.

## REPLACING THE FILTERS

### Replacement of Prefilter:

1. Shut off the system
2. Take off the top lid.
3. Lift the filter assembly out of the unit.
4. Have a garbage bag ready nearby and carefully remove the prefilter by undoing the Velcro seal. Dispose the filter into the garbage bag.

**Note: This will not harm the environment.**

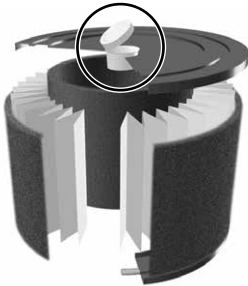
5. Wrap the new prefilter around the HEPA cartridge.
6. While pulling the prefilter tight, secure the Velcro seal to hold the prefilter in place.
7. If necessary, wipe inside the unit with a damp clean cloth and with MicroGerme disinfectant cleaning solution.
8. Place the filter assembly back onto the filter casing. Gently push down on the filter lid to help hermetically seal the filters to the casing.
9. Place the lid back on the system.
10. Turn the system back on.

## Replacement of V.O.C. Filter:

1. Shut off the system
2. Take off the top lid.
3. Lift the filter assembly out of the unit.
4. Have a garbage bag ready nearby and carefully remove the V.O.C. filter. Dispose the filter into the garbage bag.  
Note: This will not harm the environment.
5. Place the new V.O.C. filter inside the HEPA cartridge.
6. If necessary, wipe inside the unit with a damp clean cloth and with MicroGerme disinfectant cleaning solution.
7. Place the filter assembly back onto the filter casing. Gently push down on the filter lid to help hermetically seal the filters to the casing.
8. Place the lid back on the system.
9. Turn the system back on.



## INTEGRATED AROMATHERAPY DIFFUSER



This diffuser can be used with your antimicrobial treatment or aromatherapy disc to sanitize and help combat odors in your house.

1. Simply snap open the lid.
2. Place inside the container, your choice of aromatherapy disc or MicroGerme AT concentrated air sanitizer.



Each disc should last one month.

For more powerful aromatherapy, place 2 disc inside the integrated diffuser. MicroGerme concentrated sanitizer can be used once a year on an annual basis. As an alternative to Epurair aromatherapy disc you can also use regular cotton face cleansing pads with the essential oil of your choice.

**CAUTION:** Do not put oil directly into the diffuser. You risk damaging some components.

To have more information on MicroGerme AT concentrated sanitizer, contact your installer or visit us at [www.Epurair.com](http://www.Epurair.com) or call our toll-free number at **1-800-205-1108** to help you locate a dealer near you.

# Epurair MA-1 HEPA - Owner's manual

PAGE 10

Intentionally left blank

## **SPECIFICATIONS**

<b>Dimensions:</b>	(L x W x H) 17" x 17" x 22,5" (43,2 cm x 43,2 cm x 57,2 cm)
<b>Material:</b>	20 gage cold-rolled steel
<b>Finish:</b>	Baked on powder coated paint
<b>Speed:</b>	(1 - 2 - 3) 80 cfm - 125 cfm - 350 cfm
<b>Motor:</b>	Thermally protected - Class F
<b>Power:</b>	120 V AC / 60 Hz / 1.2Amp

## **LIMITED GUARANTEE**

The motor inside the Epurair unit is guaranteed to the original purchaser for a duration of FIVE (5) years from the date of purchase. The HEPA filter is guaranteed for TWO (2) years and all other components with the exception of the filters that are guaranteed for ONE (1) year. Epurair will repair or replace at its choice the component(s) which upon inspection by an authorized Epurair dealer proves to have failed in normal use due to defects in material or workmanship. Epurair will at its discretion, replace the unit if necessary. The Warranty is void if any attempts have been made by unauthorized personnel to service or modify the unit as well as operating the unit at voltages other than that specified on the unit.

THE CUSTOMER IS RESPONSIBLE FOR ANY DELIVERY CHARGES WHEN SHIPPING THE UNIT TO EPURAIR FOR WARRANTY REPAIRS OR WORK.

**Épurair and MicroGerme are trademarks  
of Industrie Orkan Inc.**

**Industrie Orkan inc.**  
30-4500 boulevard Kimber  
Saint-Hubert (Quebec) J3Y 8K5  
Canada

Tel. : **514-316-4368**  
Fax : 514-316-7409  
Toll Free : **1-800-205-1108**

**[www.Epurair.com](http://www.Epurair.com)**

*Industrie Orkan Inc. has the right to change  
any specification without notice.*

